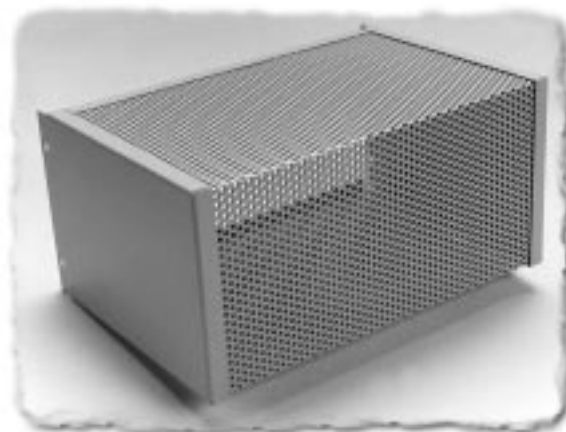
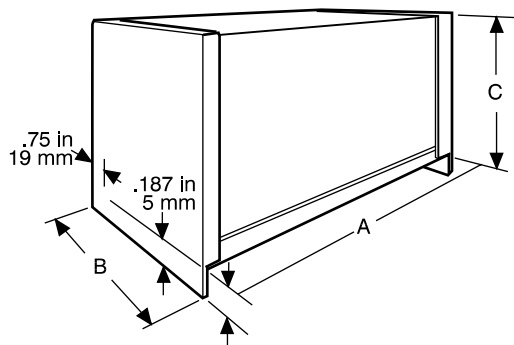


# Steel Chassis Cover (1451 Series)



## KEY FEATURES

- For use with the 1441 and 1444 series chassis.
- 20 gauge steel ends welded to a perforated steel wrapper.
- ASA 61 grey baked enamel finish.
- 4 self-tapping screws included.
- Replacement screws **1421J6** (Pkg. of 6, 6-32 Philips head screws).

Part Number		Units	Dimensions			Use with Chassis
ASA61 Gray	Satin Black		A	B	C	
<b>1451-10</b>	<b>1451-10BK3</b>	inch mm	8 203	4 102	5.2 132	4 x 8
<b>1451-14</b>	<b>1451-14BK3</b>	inch mm	9 228	5 127	5.2 132	5 x 9
<b>1451-16</b>	<b>1451-16BK3</b>	inch mm	10 254	6 152	5.2 132	6 x 10
<b>1451-29</b>	<b>1451-29BK3</b>	inch mm	10 254	12 305	5.2 132	10 x 12
<b>1451-22</b>	<b>1451-22BK3</b>	inch mm	12 305	8 203	5.2 132	8 x 12
<b>1451-26</b>	<b>1451-26BK3</b>	inch mm	16 406	8 203	5.2 132	8 x 16
<b>1451-30</b>	<b>1451-30BK3</b>	inch mm	17 432	10 254	5.2 132	10 x 17

Metal



**CANADA**  
Guelph, Ontario (519) 822-2960  
St. Laurent, Quebec (514) 343-9010  
**USA**  
Cheektowaga, NY (716) 651-0086

[www.hammondmfg.com](http://www.hammondmfg.com)

**EUROPE**  
Basingstoke, UK +44 1256 812812

**AUSTRALASIA**  
Queenstown, SA, Australia +61 8 8240 2244