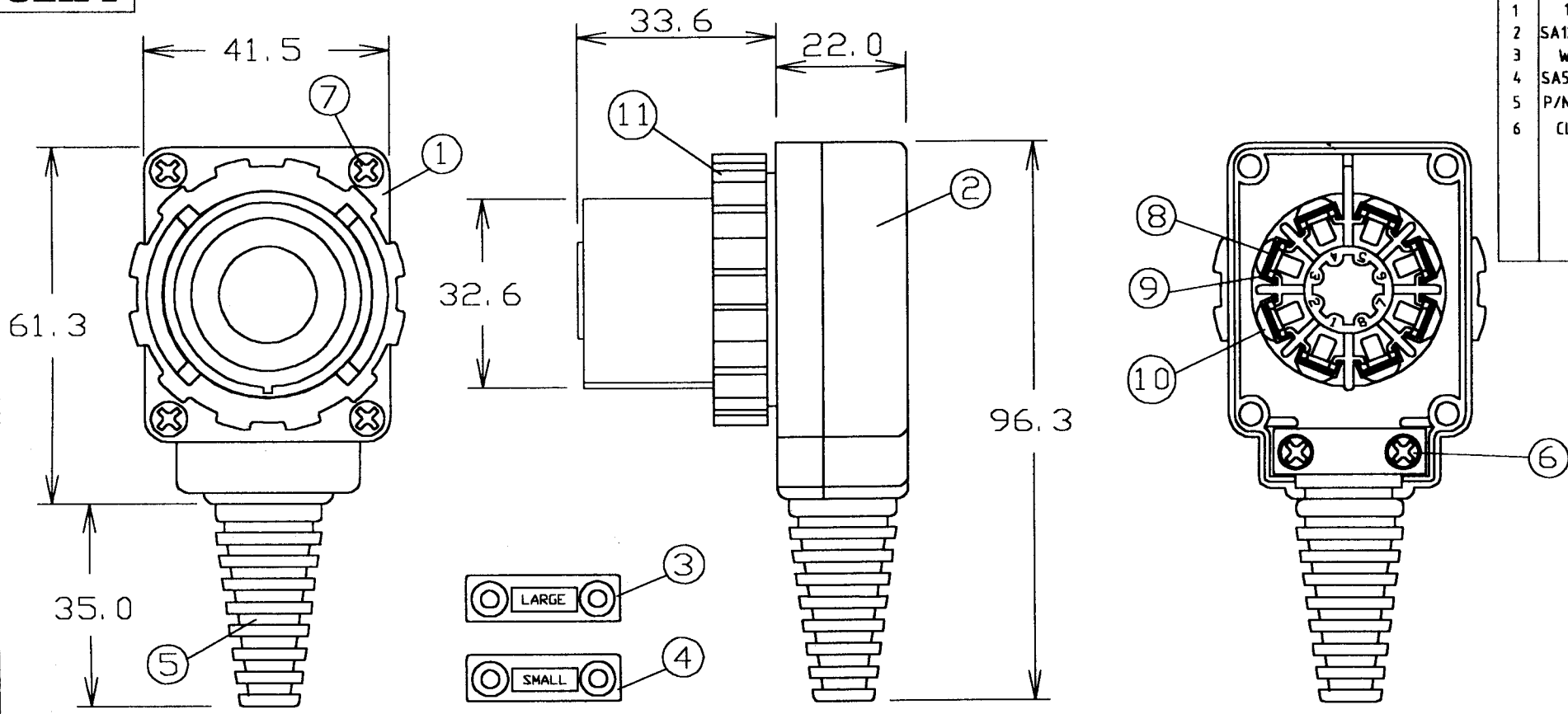


**CLIFF**

ISS	AMEND	DATE
1	1st DRAWN	20/3/96
2	SA12 WAS FC674	26/4/96
3	WAS FC6938	4/7/96
4	SAS WAS Sn PLT	30/7/96
5	P/Nos UPDATED	8/10/97
6	CL2073 NOTE	6/10/99



RATED  
 10A. / CONTACT CONTINUOUS @ 80°C MAX.  
 15A. @ 20°C INTERMITTANT

ITEM	DESCRIPTION	MATERIAL	No. PER	P/No.
1	BODY FRONT	POLYAMIDE (BLK)	1	CL 2072SA7
2	BODY COVER	POLYAMIDE (BLK)	1	CL 2072SA8
3	CABLE CLAMP LARGE	POLYAMIDE / GF (BLK)	1	CL 2072SA9
4	CABLE CLAMP SMALL	POLYAMIDE / GF (BLK)	1	CL 2072SA10
5	GROMMET #2	PVC	1	FC 6938SA12
6	SCREW (CABLE CLAMP)	STEEL Ni PLT M3x15	2	FC 6938SA2
7	SCREW (COVER)	STEEL / BLK #6x15	4	FC 6938SA3
8	CONTACT	BRASS / Sn PLATED	8	FC 6938SA4
9	CONTACT WASHER	BRASS / Ni PLATED	8	FC 6938SA5
10	SCREW (CONTACT)	BRASS / Ni PLT M3x7	8	FC 6938SA6
11	LOCKING RING	NYLON (ORANGE)	1	CL 2072SA11

VARIANTS

P/No.	DESC
CL 20721	8PC/P RS 215-6414
CL 2073	8PC/PS SOLDER VERSION

NOTE: VARIANT CL2073 HAS ITEMS 9 AND 10 OMITTED.

**Tolerance**  
 NO DEC. PLACE ±  
 1 DEC. PLACE ± 0.2  
 2 DEC. PLACE ±  
 DIA. HOLES ±  
 ANGLES ± 1/2°  
 UNLESS OTHERWISE STATED

DIMENSIONS IN MILLIMETERS UNLESS OTHERWISE STATED. WORK TO DIMENSIONS. DO NOT SCALE DRAWING. 3rd ANGLE PROJECTION. REMOVE BURRS. IF IN DOUBT ASK.

WHERE USED F.R.  
 SCALE N.T.S.

Cliff Electronic Components, Inc. 4876 East Second Street, Benicia, CA 94510 USA Tel: (707) 746 8090 Fax: (707) 746 8092	MATERIAL COMPOSITE		TITLE CLIFFCON 8PC/P PLUG (8 POLE)	
	FINISH CLEAN		DRWG. No. CL 2072	
	DRAWN C.A.M.J.	APPD. RWT	FORM: A4DRWGH	