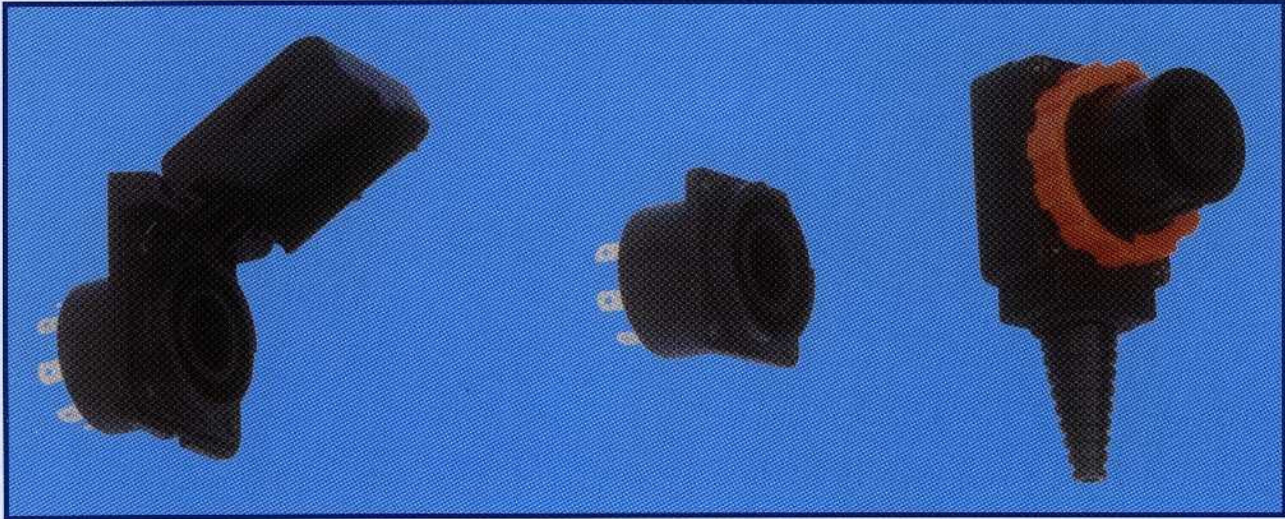


# 8 Pole Touchproof Connector



## FEATURES

- Touchproof Contacts to EN60065 / IEC 348 / EN61010-1.
- Polarized.
- Easy Foolproof Lock / Unlock.
- High reliability wiping contacts / Tin plated.
- Faston / screw connection / Large screws.
- Solder Connection.
- Built in cable clamp 6mm. ~ 15mm.
- Chassis connector is panel airtight.
- Plug / Socket mated meets IP55 min.
- Optional gold plated contacts.
- Tough / Durable / Low cost.
- Option - PC Mounting for socket.
- Pin 1 Safety leading Earth.

## APPLICATIONS

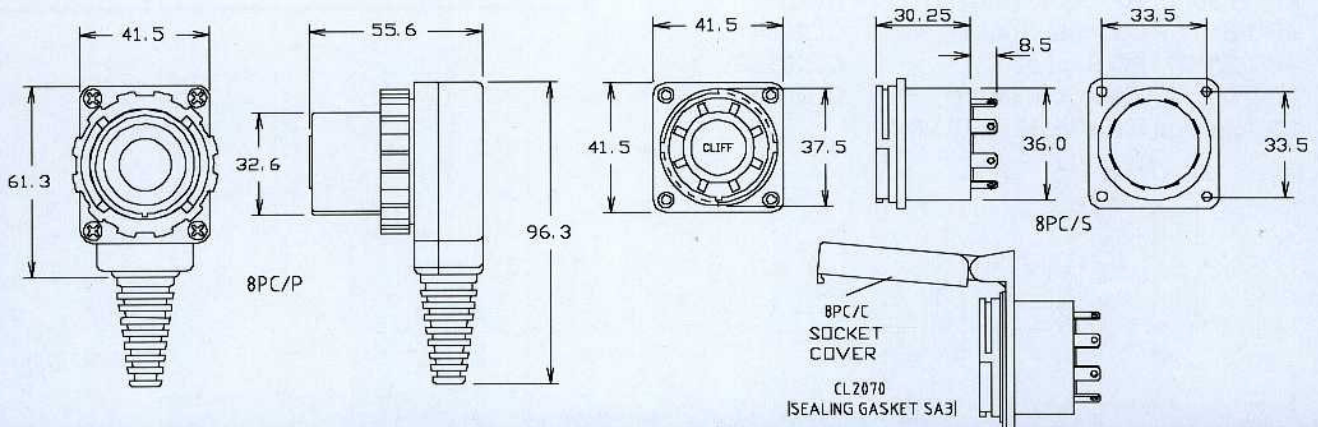
Speaker Systems; Amplifier Outputs; Chargers; Instrumentation; System Interconnections; Lighting.

<b>8PC/C</b>	<b>Cover</b>	<b>CL2070</b>
<b>8PC/P</b>	<b>Cable Plug (screws)</b>	<b>CL2072</b>
<b>8PC/PS</b>	<b>Cable Plug (solder)</b>	<b>CL2073</b>
<b>8PC/S</b>	<b>Chassis Socket</b>	<b>CL2074</b>
<b>8PC/S/PC</b>	<b>PC Socket</b>	<b>CL20742</b>

## SPECIFICATION

ELECTRICAL	MECHANICAL
Rated Current -15A. RMS at 20°C intermittently -10A. RMS at 80°C Same current on all 8 pins flowing through both Plug & Socket.	Locking Method - Lock ring.  Cable Anchor - CLIFF screw block / Assembly screws Cable OD - 6mm / 15mm Ø. Optional cable grommet - adjustable by cutting.
Rated - 250V AC Max.	Connection - Chassis Socket - 4.8mm Faston x 8. Tin Plated. (Fastons are solderable)
Test Voltage - 2.5KV RMS 50Hz / min.	Plug Assy - 8 x Flat Head Screws / washers or 8 x solder tag / dual system.
Contact Resistance - <8mΩ	Contacts - Tin Plated
Capacitance (between terminals) <3.5pf.	Max. Wire size / contact - 6mm <sup>2</sup> / 10 AWG (solid) 4mm <sup>2</sup> / 12AWG (stranded)
Insulation Resistance - >20MΩ @ 1000V	Operating Temp. -20 / +80°C.
Inrush Current - >30A. / 20mS.	
Recommended Wiring - Pin 1 to Earth	
Touchproof to EN60065 / IEC 348 / EN61010-1 Plug meets EN60268-12/A1 with Ident label (suffix -L)	

UK Patent 2268640. US Patent 5413506



© CLIFF 08/01

## Cliff Electronic Components Limited

76 HOLMETHORPE AVENUE, HOLMETHORPE INDUSTRIAL ESTATE,  
REDHILL, SURREY RH1 2PF. ENGLAND.

TEL: (01737) 771375 FAX: 01737-766012 E-MAIL: sales@cliffuk.co.uk

Website www.cliffuk.co.uk

