



Low Impedance Triode

Code : 4300B (CV1452 Special)

(for replacement purposes only)

This valve is equivalent to the U.S.A. WE 300B Type

SPECIFICATION

Cathode.

Oxide coated filament.
Constant voltage type.

Base.

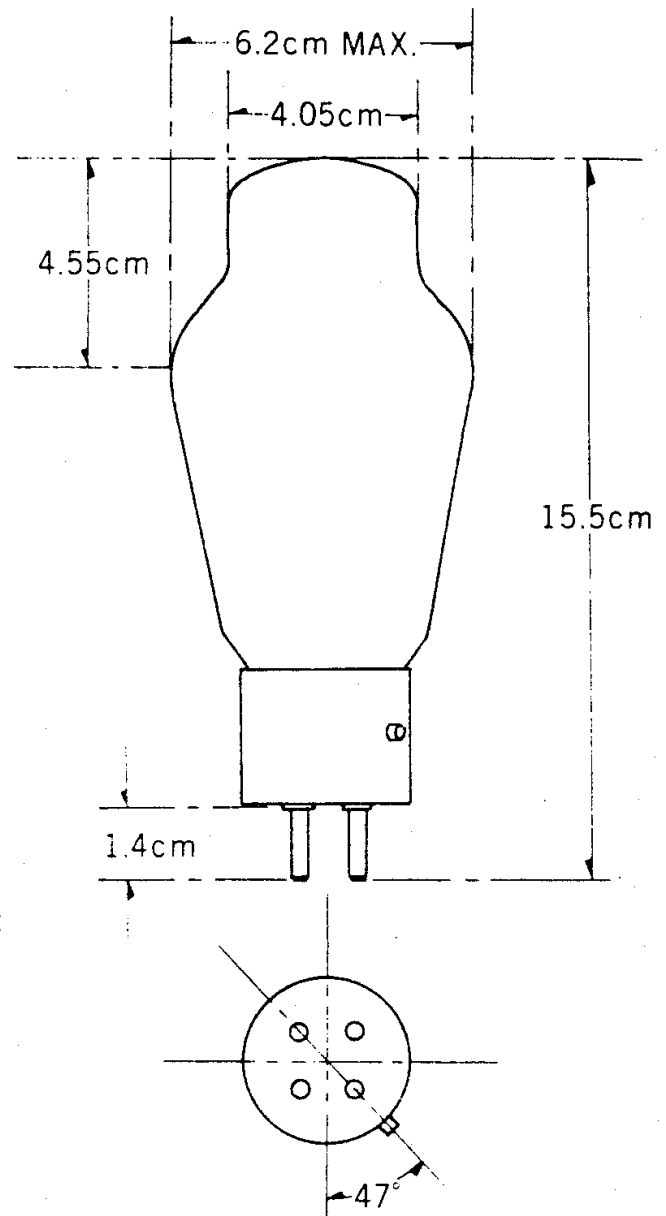
American medium 4-pin bayonet.

Dimensions.

Maximum overall length	15.5 cm
Maximum diameter	6.2 cm
Net weight	100 g

Constants.

Filament voltage	5.0 volts
Nominal filament current	1.2 amps.
* Amplification factor	3.9
* Impedance	720 ohms
* Mutual conductance	5.4 mA. per volt
Grid-anode capacity	15 pF
Grid-filament capacity	9 pF
Anode-filament capacity	4.3 pF

* at $V_p = 300$ volts, $V_{g_1} = -61.5$ volts.

LIMITING CONDITIONS FOR SAFE OPERATION.

Maximum anode voltage	450 volts
Maximum anode dissipation	40 watts
Maximum anode current of average valve for fixed grid bias	70 mA.
Maximum anode current for manually adjusted grid bias or self-biasing circuit	100 mA.



Low Impedance Triode

Code : 4300B (CV1452 Special)

(for replacement purposes only)

TYPICAL OPERATING CONDITIONS. AUDIO FREQUENCY.

Class A Amplifier.

Anode voltage V	Grid voltage V	Anode current mA	Load resistance Ω	Power output W	Second harmonic db
200	-42	30	2000	3.0	20
200	-39	40	2500	2.6	26
250	-55	30	2000	4.9	18
250	-52	40	3000	4.0	26
250	-50	50	2500	4.4	26
250	-48	60	2000	4.7	26
250	-48	60	2700	4.1	30
250	-45	80	1500	5.0	26
300	-65	40	2500	6.7	20
300	-63	50	2000	7.2	21
300	-63	50	3000	6.1	26
300	-61	60	2400	6.6	26
300	-58	80	1700	7.5	26
350	-76	50	3600	7.8	26
350	-74	60	2000	10.2	21
350	-74	60	3000	8.3	26
350	-74	60	4000	7.0	30
350	-71	80	2200	9.6	26
400	-91	40	5000	8.4	26
400	-89	50	3000	11.5	21
400	-89	50	4000	9.4	25
400	-87	60	3500	10.5	26
400	-84	80	2500	12.5	25
*450	-104	40	6000	9.5	26
*450	-102	50	5000	10.7	27
*450	-100	60	4000	12.5	26
*450	-100	60	5500	10.1	30
*450	-97	80	2000	17.8	21
*450	-97	80	3000	14.6	26
*450	-97	80	4500	11.5	31

* Maximum operating conditions.

